

# ALFA



## CIAO

## LEGNA - WOOD

**YELLOW**  
FXCM-LGIA-T

**SILVER GREY**  
FXCM-LGRI-T



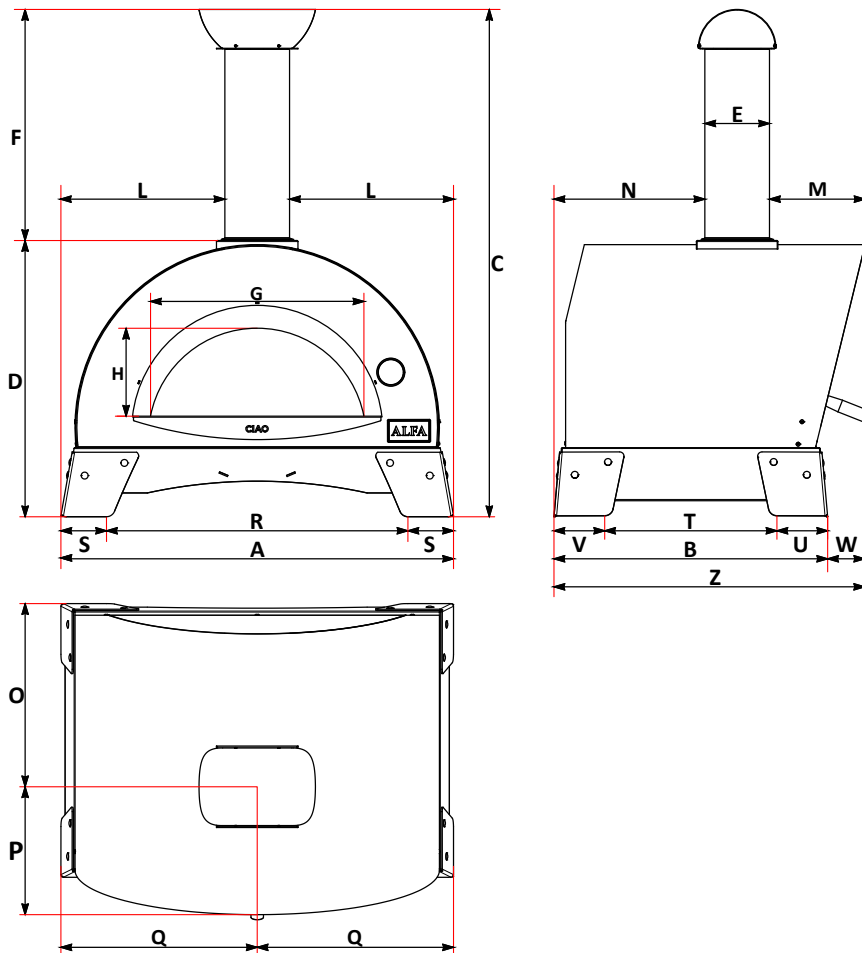
conforme a UNI 10474 e EN 13229  
UNI 10474 and EN 13229 compliant



### CARATTERISTICHE TECNICHE - TECHNICAL DETAILS

|   |  |   |  |
|---|--|---|--|
| <b>Peso</b><br><i>Weight</i>                              | 85.5 kg<br>188 lbs                       | <b>Materiali utilizzati</b><br><i>Used material</i>                                 | lamiera ferro. acciaio inox. fibra ceramica<br><i>iron sheet. stainless steel. ceramic fiber</i> |
| <b>Area piano forno</b><br><i>Oven floor area</i>         | 0.28 m <sup>2</sup><br>3 ft <sup>2</sup> | <b>Tipo di refrattario</b><br><i>Type of refractory</i>                             | Tavella silico-alluminoso<br><i>Alumina silicate bricks</i>                                      |
| <b>Dim. piano forno</b><br><i>Oven floor dim.</i>         | 70 x 40 cm<br>27.5 x 15.7 in             | <b>Combustibile consigliato</b><br><i>Recommended fuel</i>                          | Ciocchi diam. Max 5 cm. potature<br><i>Max 1.9 In diam. logs. trimmings</i>                      |
| <b>Minuti per scaldare</b><br><i>Heating time (min)</i>   | 15                                       | <b>Carica nominale</b><br><i>Rated charge</i>                                       | 6.9 kg/h<br>15.2 Lbs/h   |
| <b>N° pizze alla volta</b><br><i>Pizza capacity</i>       | 2  | <b>Tiraggio minimo</b><br><i>Minimum flue draught</i>                               | 10 Pa  |
| <b>Infornata di pane</b><br><i>Bread capacity</i>         | 2 kg<br>4.4 lbs                          | <b>Flusso volumetrico fumi</b><br><i>Flue smokes mass flow</i>                      | 57.7 g/s   |
| <b>Temperatura massima</b><br><i>Max oven temperature</i> | 500°C<br>1000°F                          | <b>Emissioni CO al 13% O<sub>2</sub></b><br><i>CO emission at 13% O<sub>2</sub></i> | 0.31% 3843 mg/Nm <sup>3</sup>  |
| <b>Consumo medio</b><br><i>Average fuel consumption</i>   | 2.5 kg/h<br>5.5 lbs/h                    | <b>Temperatura fumi</b><br><i>Smoke temperature</i>                                 | 395°C<br>743°F   |

**MISURE - DIMENSIONS**



|     |                     |   |                    |
|-----|---------------------|---|--------------------|
| A   | 91.1 cm<br>35.5 in  | O | 42.5 cm<br>16.7 in |
| B   | 63.5cm<br>24.8 in   | P | 29.7 cm<br>11.7 in |
| C   | 117.7 cm<br>46.3 in | Q | 45.5 cm<br>17.9 in |
| D   | 64.1 cm<br>25.2 in  | R | 69.9 cm<br>27.5 in |
| Ø E | 15 cm<br>5.9 in     | S | 10.6 cm<br>4.2 in  |
| F   | 53.6 cm<br>21.1 in  | T | 40 cm<br>15.7 in   |
| G   | 49.5 cm<br>19.3 in  | U | 11.8 cm<br>4.6 in  |
| H   | 20.4 cm<br>7.9 in   | V | 11.8 cm<br>4.6 in  |
| L   | 38 cm<br>15 in      | W | 8.58 cm<br>3.3 in  |
| M   | 22.2 cm<br>8.7 in   | Z | 72.1cm<br>28.1 in  |
| N   | 32.3 cm<br>12.7 in  |   |                    |

| DIMENSIONE IMBALLO<br>PACKAGING |                     |                   |                    |
|---------------------------------|---------------------|-------------------|--------------------|
| Larghezza<br>Width              | Profondità<br>Depth | Altezza<br>Height | Peso<br>Weight     |
| 97 cm<br>38.1 in                | 77 cm<br>30 in      | 78 cm<br>30.7 in  | 99.5 Kg<br>219 lbs |

**PARTI DI RICAMBIO - SPARE PARTS**

| Descrizione<br>Description              |   | Codice<br>Code  |
|---|---|-----------------|
| Comignolo<br>Chimney cap                | A | SPZP_01_024     |
| Canna fumaria<br>Chimney                | B | TI150_500_SAT   |
| Sportello<br>Door                       | G | SSML_01_0150    |
| Flangia<br>Flange                       | H | SPZP_01_050     |
| Carter esterno<br>External shell        | I | SCRT-01-028-GRI |
| Carter esterno<br>External shell        | I | SCRT-01-028-GIA |
| Termometro<br>Thermometer               | J | YT63-135        |
| Mattoni 40x20 cm<br>Red bricks 40x20 cm | K | RRA-4020        |
| Mattoni 50x20 cm<br>Red bricks 50x20 cm | K | RRA-5020        |
| Gasbeton                                | L | D10GASB-D300    |
| Piedini<br>Feet (n.4)                   | M | PZP-01-070/71   |
| Logo Alfa (v1.0)                        | N | D14PLAC-ALFA    |
| Davanzale<br>Sill                       | R | SSML-01-049     |
| Vasca camera                            | S | SCMB-01-028     |

